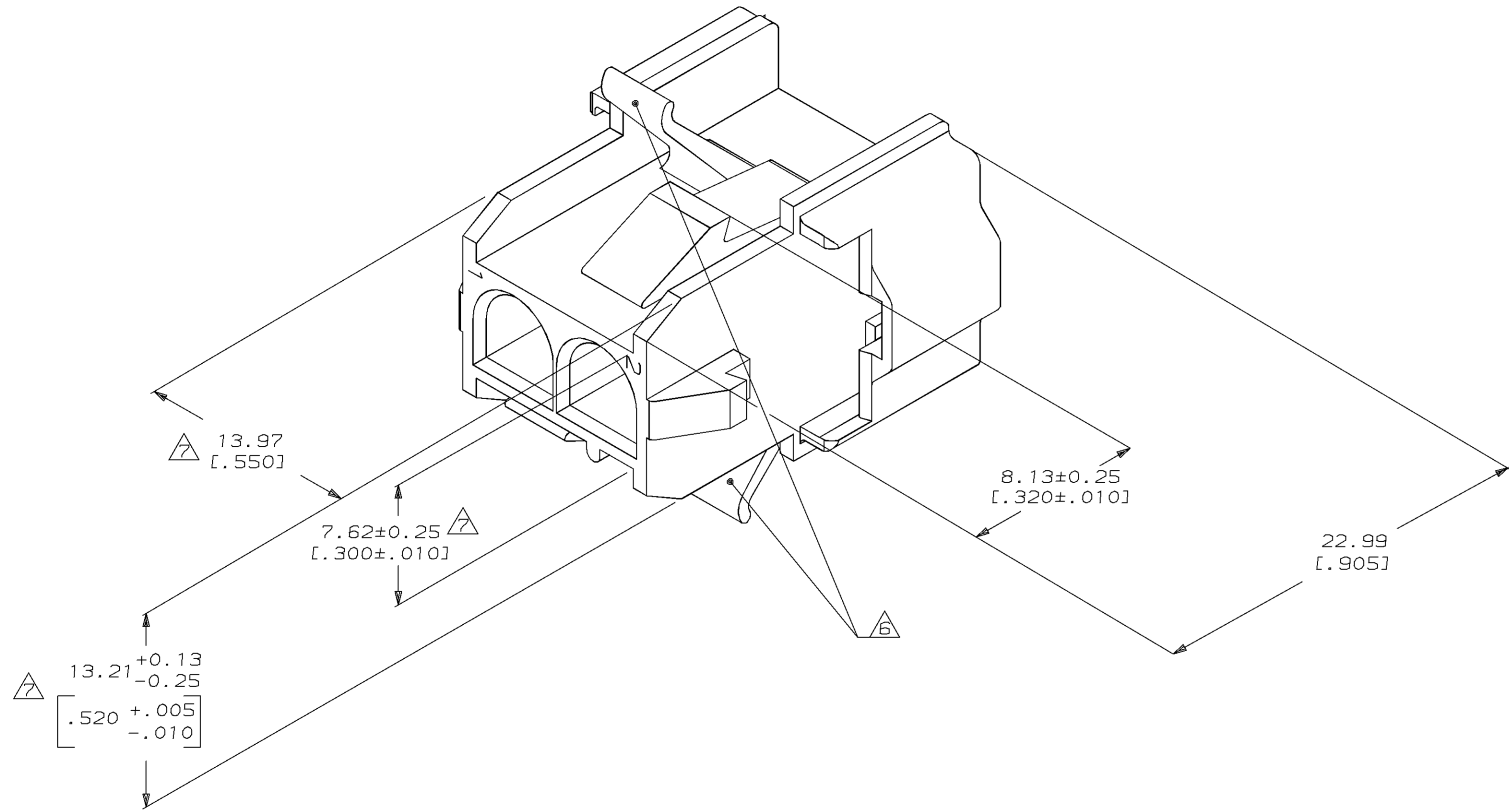
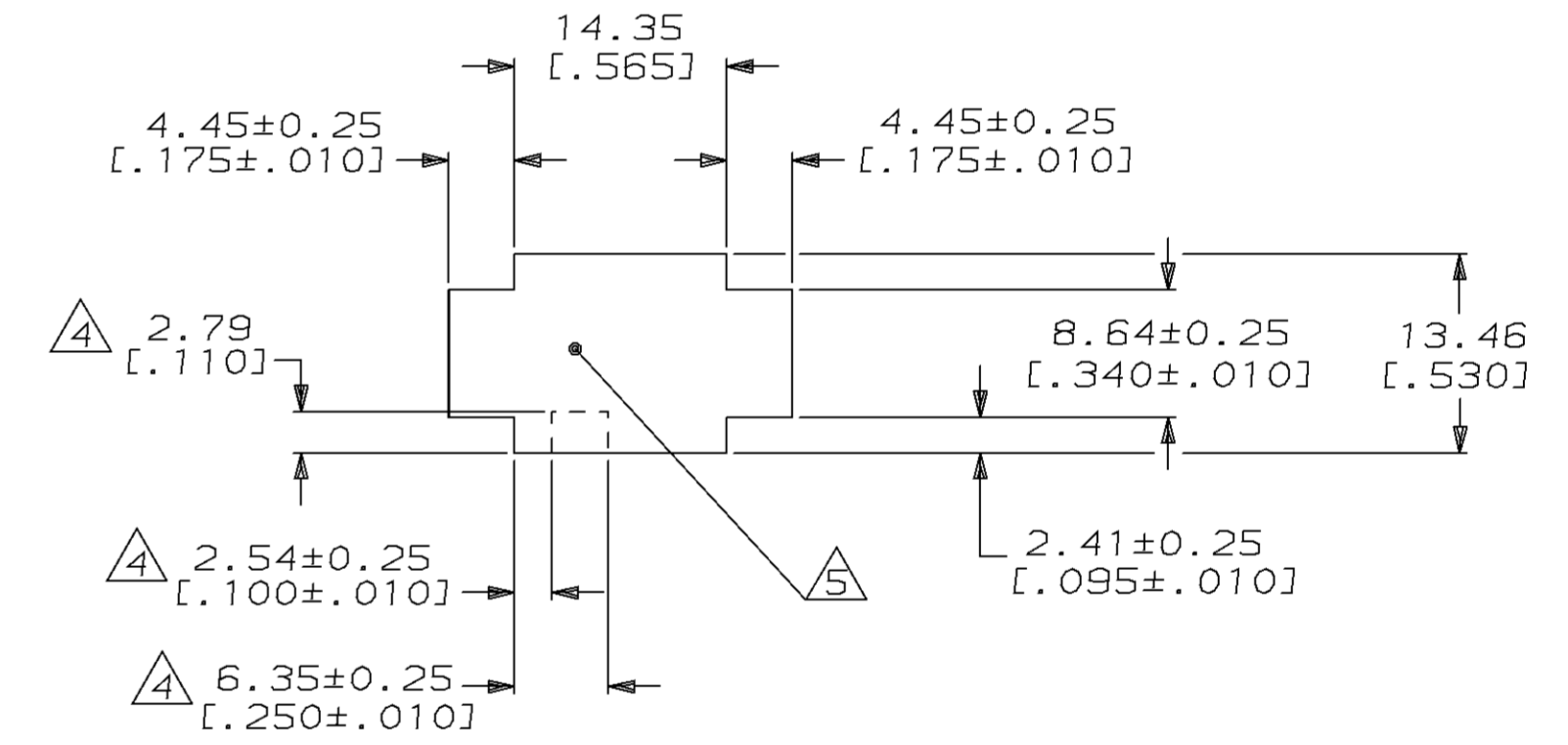


LOC		DIST		P		ZONE		LTR		REVISIONS		DATE	APPD
CM	53									F	REV PER EC 0730-0211-95	2-27-96	RV



1. MUST BE ASSEMBLED WITH CAP REAR P/N 770046-1 BEFORE MATING. KIT P/N IS 770024-1.
2. RECOMMENDED PANEL THICKNESS 0.76-2.29 [.030-.090].
3. PANEL MUST BE PUNCHED SO THAT THE HOUSING ENTERS THE PANEL IN THE SAME DIRECTION AS THE PUNCH.
4. OPTIONAL FOR KEYING HOUSING IN PANEL.
5. CIRCUIT NUMBER 1 LOCATION.
6. AMP LOGO LOCATED ONCE ON ANY INDICATED SURFACE FARSIDE.
7. DIMENSION INDICATED IS AS MOLDED. ADDITIONAL GROWTH DUE TO SUBSEQUENT MOISTURE ABSORPTION MAY OCCUR.



RECOMMENDED PANEL CUTOUT
 (HOUSING ENTRY SIDE)
 SCALE 2:1

770045-1
 PART NUMBER



DO NOT SCALE PRINT. UNLESS SPECIFIED DIMENSIONS IN INCHES TOLERANCES ON:		DR 1-15-92 K. SALMON		AMP INCORPORATED Harrisburg, Pa. 17105	
1 CHK 1-15-92 R. SWING		APPD 1-16-92 M. TRULL		NAME	
2 PLC DEC ± 0.13 [.005]		APPD 1-16-92 M. TRULL		CAP FRONT, 2 CIRCUIT, UNIVERSAL MATE-N-LOK™ II	
3 ANGLES ±		PRODUCT SPEC		DRAWING NO	
MATERIAL NYLON, UL94V-0,		APPLICATION SPEC		SIZE D	FSCM NO 00779
FINISH		WEIGHT		SCALE 5:1	DRAWING NO 770045
				SHEET 1 OF 1	